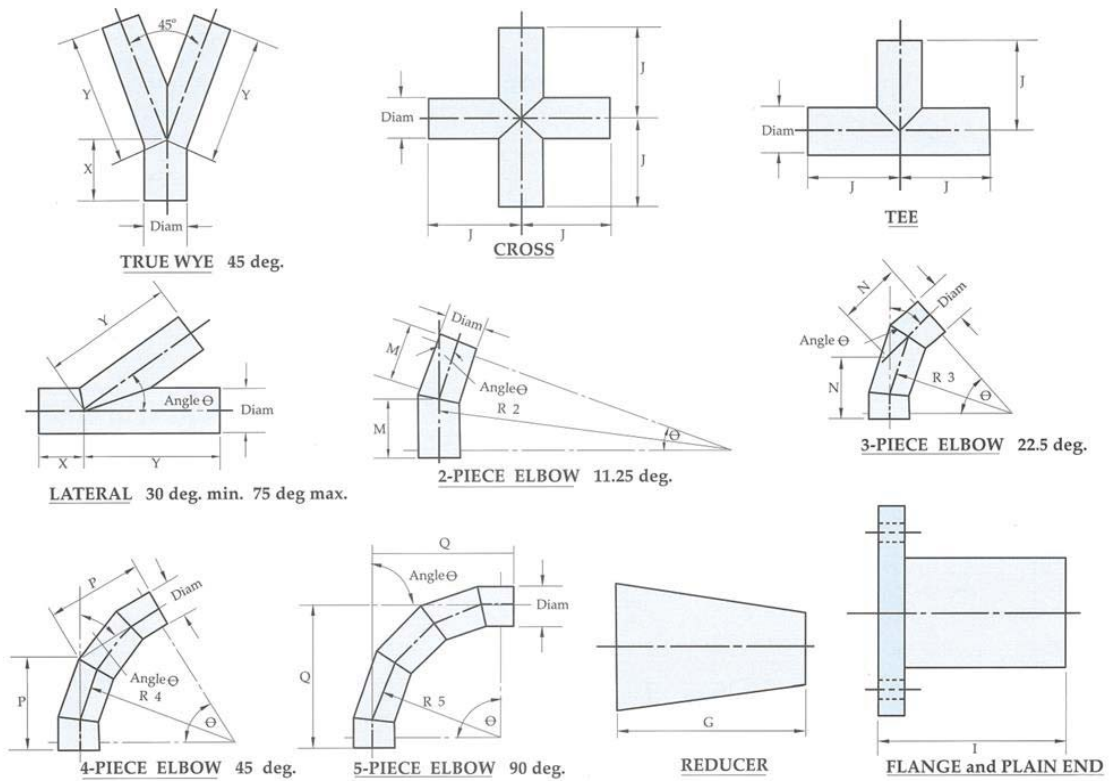


# ➤ PWA Standard for Fittings

(PWA : การประปาส่วนภูมิภาค)



Unit : mm.

Nom. Diam.	True Wye 45°		Cross	Tee		Lateral (30 deg. min.)		Elbow				Reducer Cone	Flange And Plain End
	Y	X		Run J+J	Outlet J	Run X+Y	Outlet Y	2-Piece 11.25°	3-Piece 22.5°	4-Piece 45°	5-Piece 90°		
			J+J				M	N	P	Q	G (min.)	I (min.)	
150	800	250	600	600	300	1050	800	225	325	400	525	225	400
200	900	250	650	650	325	1150	900	250	350	450	600	275	500
250	1000	250	700	700	350	1250	1000	250	375	500	650	300	500
300	1100	250	750	750	375	1350	1100	275	400	550	725	350	500
350	1200	250	800	800	400	1450	1200	275	425	600	775	400	500
400	1300	250	850	850	425	1550	1300	300	450	650	850	450	500
500	1500	300	950	950	475	1800	1500	325	500	700	975	500	500
600	1800	300	1050	1050	525	2100	1800	350	550	800	1100	600	600
700	2000	300	1350	1350	675	2300	2000	375	600	875	1225	700	600
800	2200	300	1550	1550	775	2500	2200	375	650	950	1325	800	600
900	2400	350	1650	1650	825	2750	2400	400	675	1000	1400	900	600
1000	2600	400	1750	1750	875	3000	2600	400	700	1025	1450	1000	600
1200	3000	500	1950	1950	975	3500	3000	425	725	1100	1525	1200	600
1500	3600	600	2250	2250	1125	4200	3600	450	775	1200	1625	1500	600

**Note:** Lateral dimensions given cover 30-75 degree angles ; for angles greater than 75 degree, use dimension given for tees, for angle less than 30 degree use 30 degree lateral plus an elbow to fit.

$$R 2 = \frac{M-150}{\tan \frac{\theta}{2}}$$

$$R 3 = \frac{N-150}{\tan \frac{\theta}{2}}$$

$$R 4 = \frac{P-150}{\tan \frac{\theta}{2}}$$

$$R 5 = \frac{Q-150}{\tan \frac{\theta}{2}}$$